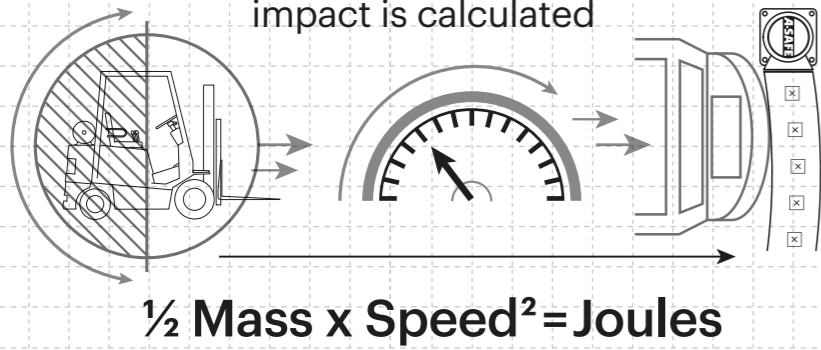


# Technical Information

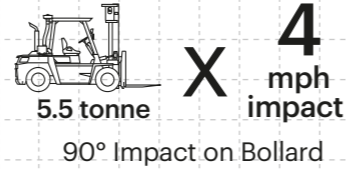
How the energy from a vehicle impact is calculated



### Tested Impact Energy

**8,800 Joules**

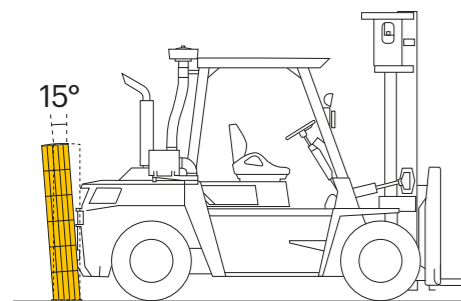
Equivalent vehicle and speed



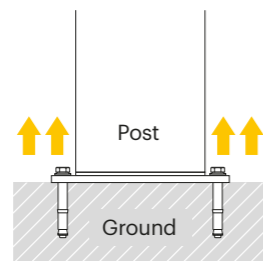
### Impact Test

Max Energy (Joules) at 90° **8,800**

Deflection at Max Energy  
15° Lean



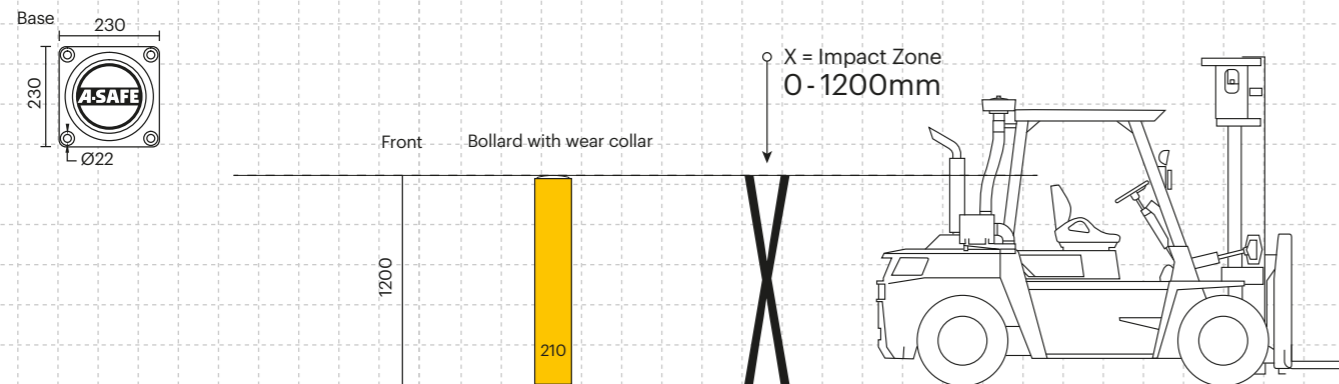
Force to Bolt  
35kN



Material Properties	MEMAPLEX™
Temperature Range	-10°C to 50°C
Ignition Temperature	370°C to 390°C
Flash Point	350°C to 370°C
Toxicity	Not Hazardous
Chemical Resistance	Excellent - ISO/TR 10358
Weathering Stability (Grey Scale)	5/5*
Light Stability (Blue Wool Scale)	7/8**
Static Rating (Surface Resistivity)	1015 - 1016 Ω
Hygiene Seals	No

\* Weathering scale 1 is very poor and 5 is excellent  
\*\* Light stability scale 1 is very poor and 8 is excellent

### Dimensions (mm)



### Bollard Options



### Colour Combinations

\*Please note that the RAL and PANTONE colours listed are the closest match to standard A-SAFE colours, but may not be exact matches of the actual product colour and should be used for guidance only.



iFlex™

Heavy Duty Bollard

**A-SAFE**



Designed to protect against damage caused by heavier weight vehicles or in higher speed environments.

The iFlex Heavy Duty Bollard is designed to protect structures and equipment from impact damage. Providing a robust physical presence to prevent access and guide vehicles.

Strong, durable and highly visible, A-SAFE Heavy Duty Bollards permanently reinforce a driver's attention to safe driving and provide enhanced protection against significant damage to property.

Tested to the global benchmark in barrier safety

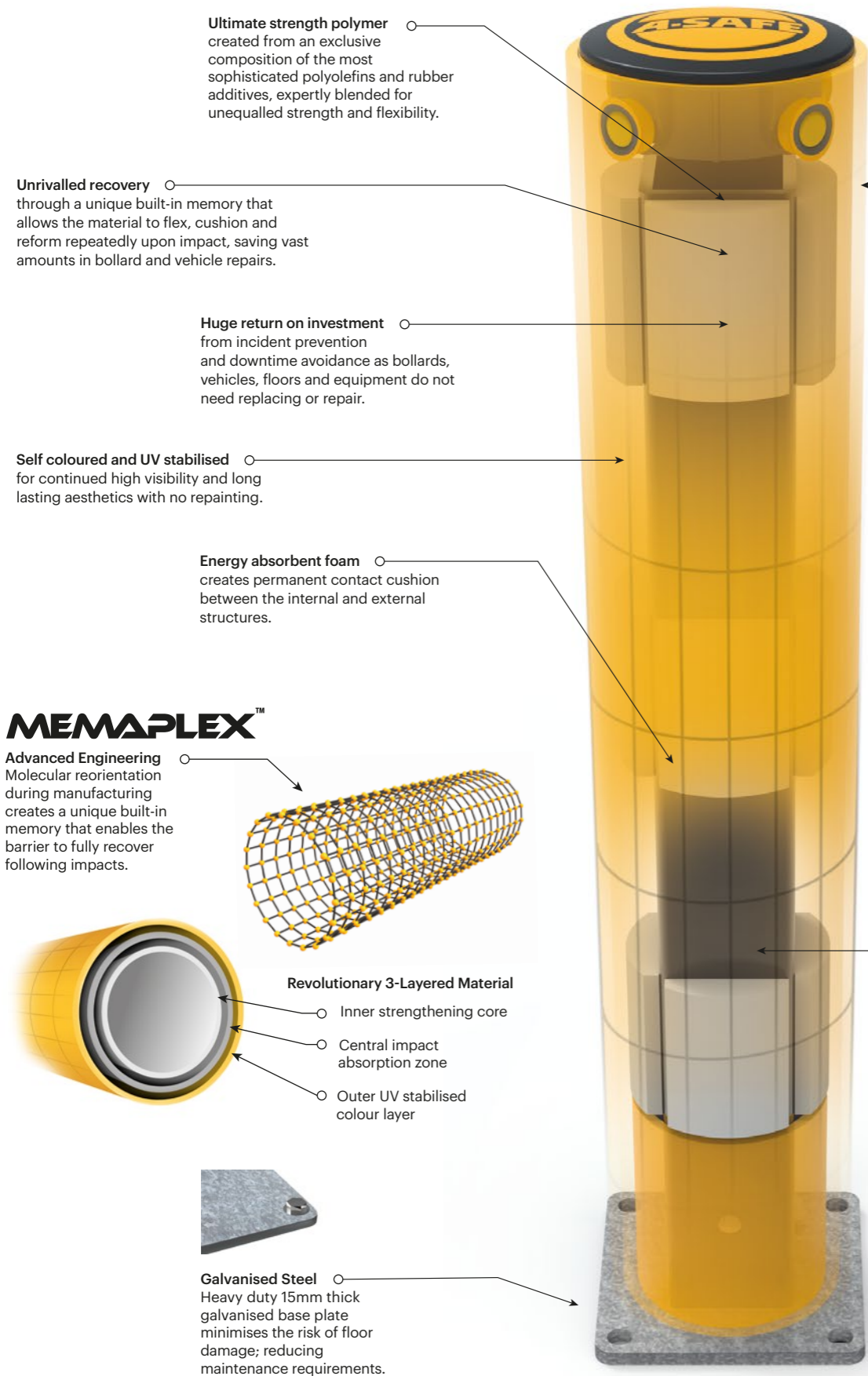
**bsi. PAS 13**  
Code of Practice for  
Workplace Safety  
Barriers





# Engineered for performance

A-SAFE's state of the art products are meticulously engineered to deliver the highest performance. Designed, developed, tested and manufactured in-house at our cutting-edge facility, each unique component is carefully crafted and purpose-built to play a vital role in the product's performance.



## In-line coupling for height flexibility

The iFlex in-line coupling introduces a new level of modularity to the vertical height of a range of A-SAFE products. The coupling enables customers to take the standard 1200mm bollard up to 2000mm.

**Four pin positioning** to top and bottom sections gives increased rigidity and stability.

**Seamless join** enables easy stacking of top and bottom bollard sections.

**Moulded pins** lock securely into the internal layer with a quarter turn.

## Rotating wear collar for advanced deflection

The wear collar adds an extra layer of protection along the full height of the bollard.

The rotating action deflects force from repeat glancing blows. Preventing expensive on-going maintenance costs.

## High impact core

Heavy duty or high speed vehicles present greater risk of impact damage. The extended height galvanised core provides enhanced impact protection.



Higher level bollards give a strong visual alert for reversing HGV drivers, preventing costly damage to service yard infrastructure.



Ideal for use on vehicle routes with sharp angle turns such as car parks.



Protect vulnerable access points where heavy duty vehicles are in operation.