



A-SAFE

Est. 1984

eFlex™

Double RackEnd Barrier



Designed to protect the end of racking aisles where turning vehicles and equipment can impact vulnerable racking structures.

The Double Rail version will absorb and deflect repeated contact from heavier vehicles with higher centres of gravity, preventing damage to racking systems.

The circular end posts provide enhanced protection at the barrier ends which are most susceptible to impact. Innovative spinning collars further deflect and dissipate impact forces.



Code of Practice
for Workplace
Safety Barriers

PAS13
2017

Engineered for performance

Memaplex™ advanced strength polymer created from an exclusive composition of the most sophisticated polyolefins and rubber additives, expertly blended for unequalled strength and flexibility.

Unrivalled recovery through a unique built-in memory that allows the barrier to flex, cushion and reform repeatedly upon impact, saving vast amounts in barrier and vehicle repairs.

Huge return on Investment from incident prevention and downtime avoidance as rails, vehicles, floors and infrastructure do not need replacing or repair.

Rotating wear collars deflect force from repeat glancing blows preventing expensive on-going maintenance costs.

Self coloured and UV stabilised for continued high visibility and long lasting aesthetics with no repainting.

Ultra-low maintenance material is chemical and water resistant, non-corrosive, non-scratch and self coloured so no repainting, rusting, flaking or corrosion.

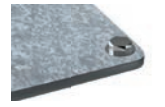
Environmentally friendly and 100% recyclable.

Zinc nickel, electrophoretic coating on base plates as standard, provides advanced protection against corrosion damage.

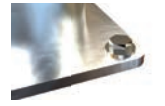
ADDITIONAL BASE OPTIONS



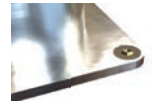
Countersunk Bolts



Galvanised Steel



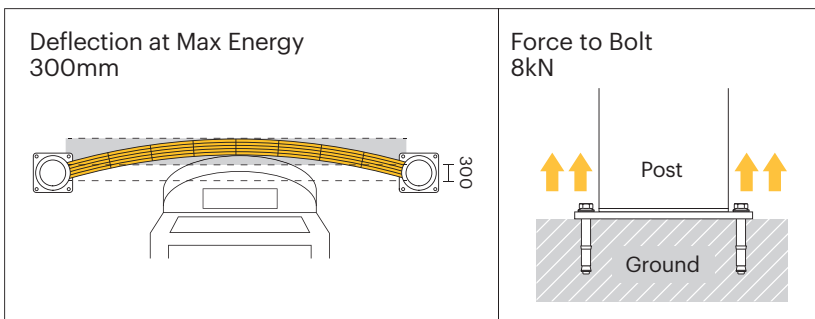
Stainless Steel 316 Standard



Stainless Steel 316 Countersunk

Technical Information

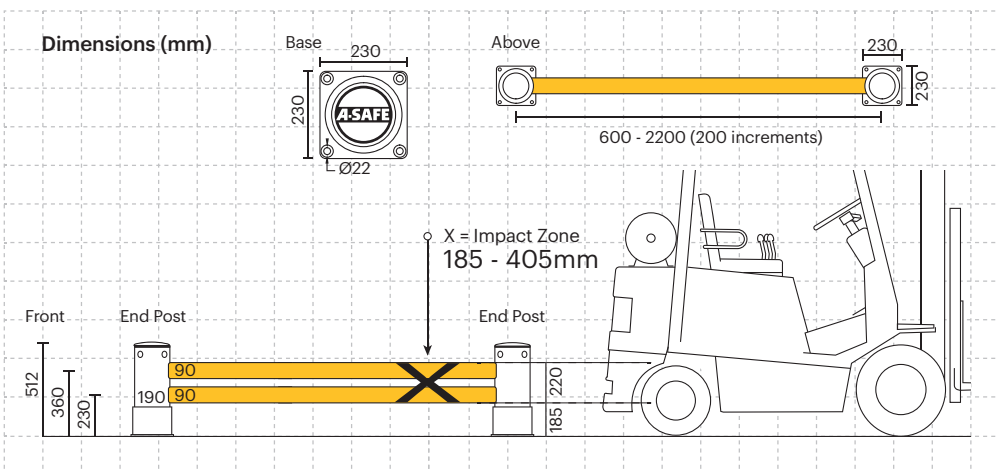
Impact Test	Impact Angle on 2000mm Post Centres			
	90°	45°	22.5°	10°
Mid Rail Max Energy (Joules)	6,000	8,400	15,600	34,000
End Post Max Energy (Joules) - 90°	3,600			



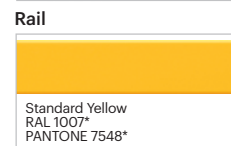
Material Properties	MEMAPLEX™
Temperature Range	-10°C to 50°C
Ignition Temperature	370°C to 390°C
Flash Point	350°C to 370°C
Toxicity	Not Hazardous
Chemical Resistance	Excellent - ISO/TR 10358
Weathering Stability (Grey Scale)	5/5*
Light Stability (Blue Wool Scale)	7/8**
Static Rating (Surface Resistivity)	1015 - 1016 Ω
Hygiene Seals	No

* Weathering scale 1 is very poor and 5 is excellent

** Light stability scale 1 is very poor and 8 is excellent



Colour Combination



*Please note that the RAL and PANTONE colours listed are the closest match to standard A-SAFE colours, but may not be exact matches of the actual product colour and should be used for guidance only.

A-SAFE Headquarters

Habergham Works, Ainleys Industrial Estate, Elland, HX5 9JP, West Yorkshire, United Kingdom.

www.asafe.com

