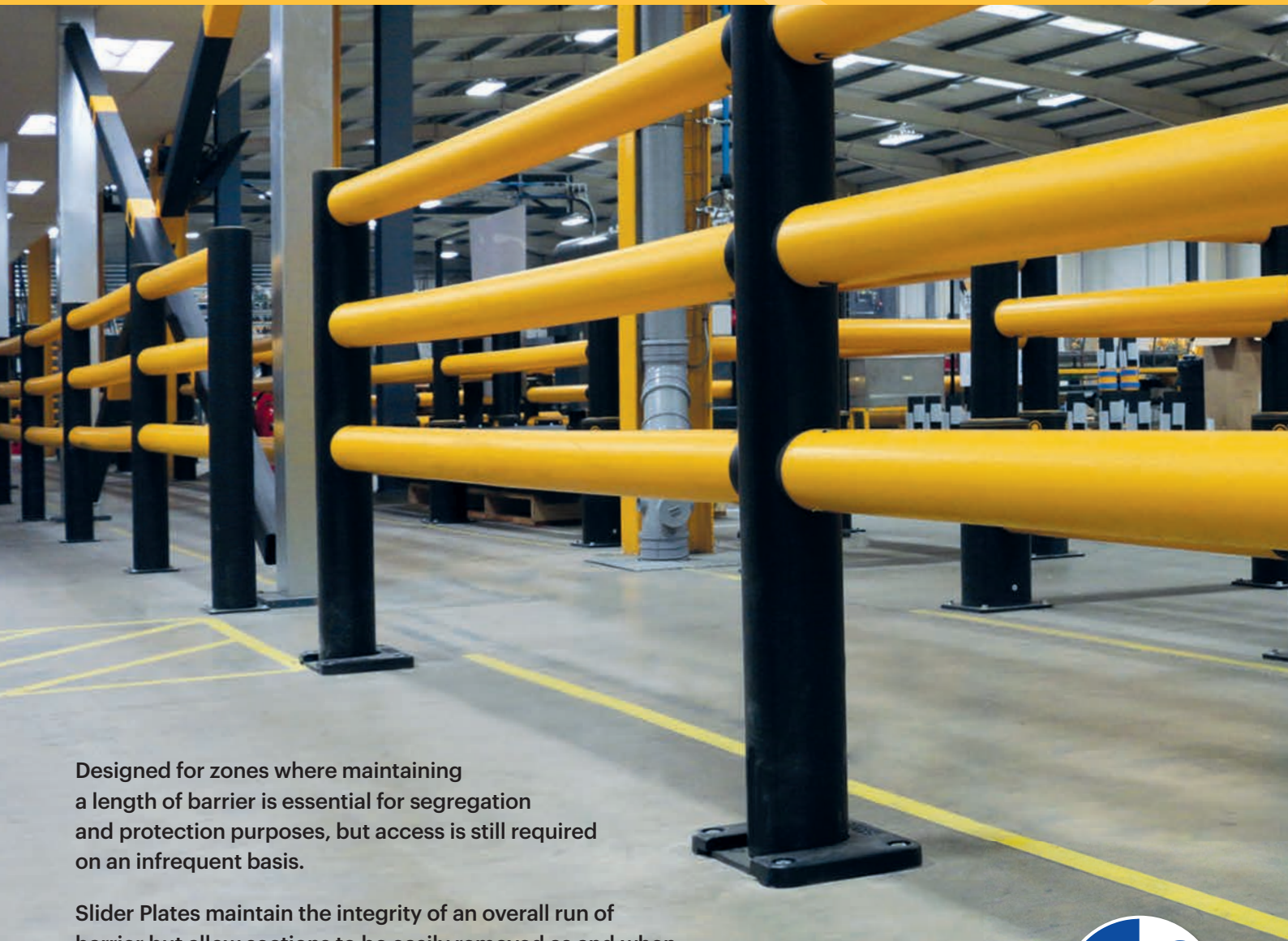




A-SAFE

Est. 1984

Slider Base Plates



Designed for zones where maintaining a length of barrier is essential for segregation and protection purposes, but access is still required on an infrequent basis.

Slider Plates maintain the integrity of an overall run of barrier but allow sections to be easily removed as and when access is required usually for vehicle or maintenance purposes.

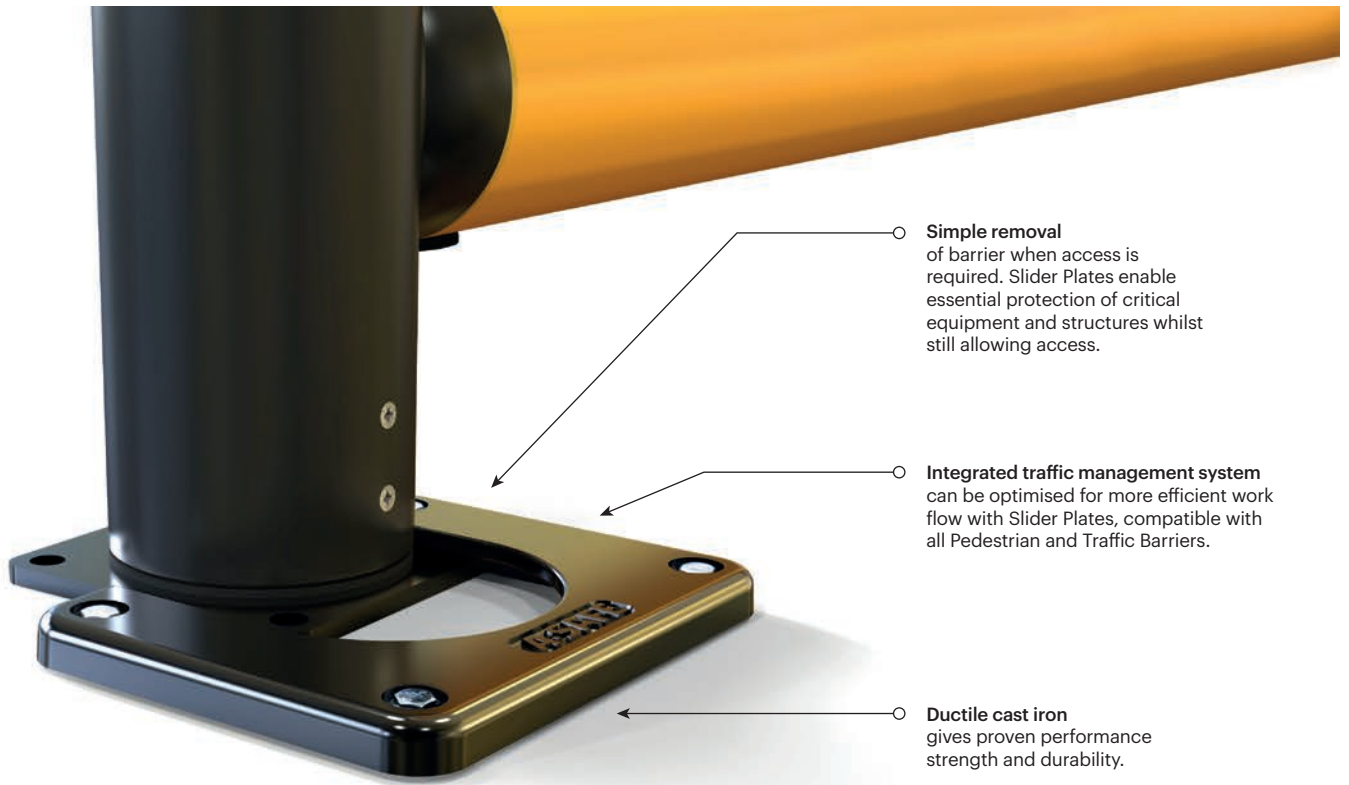
By fixing the Slider Plates to the floor rather than the barriers, the barriers themselves can be conveniently slid out of position, allowing for fast and efficient access to maximise productivity.



Code of Practice
for Workplace
Safety Barriers

PAS13
2017

Engineered for performance



Technical Information

